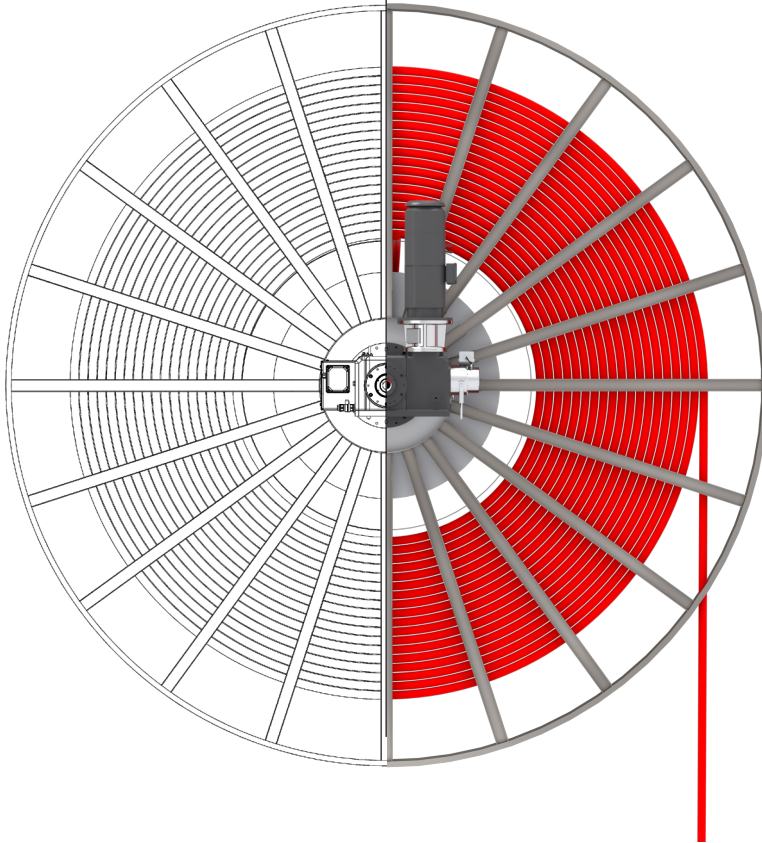


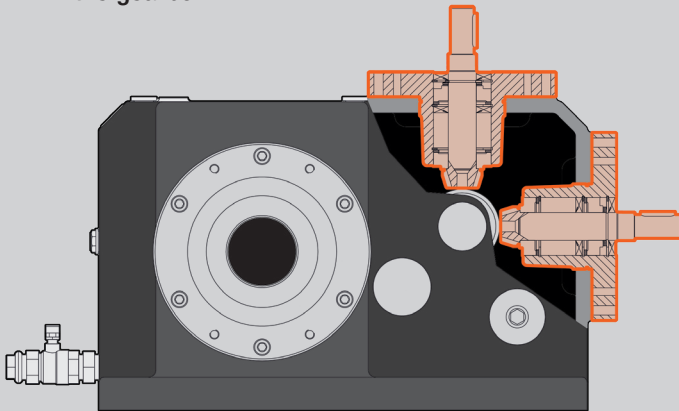
Maintenance Bulletin **Motor Driven Reels**

How to maintain
K Reels Input Shaft



How to maintain K Reels Input Shaft

The maintenance manual of your very reliable K reel describes its periodic maintenance for a very long lifetime without unscheduled stop. **To help perform those steps completely and timely, we describe in more details here the preventive maintenance to be performed on the gearbox.**



Every 6 months or 2000 h whichever first : inspect the bell, jaw coupling, input shaft and gearbox. Look for water, corrosion, oil level and check tolerances and tightening torques

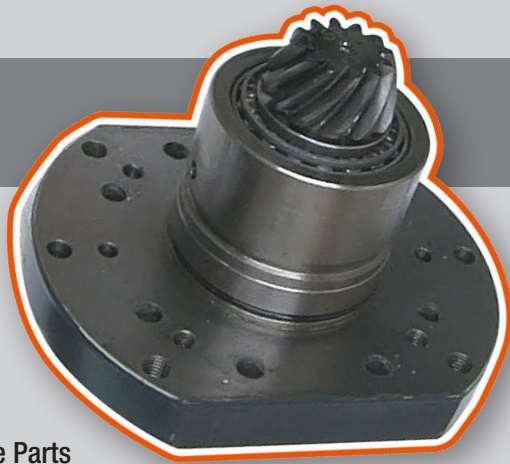
Every 3 years or 10000 h whichever first, or corrosion traces in bell : remove motor, bell, jaw coupling and top gasket to inspect shaft and top bearing for corrosion and damage. Install new grease on bearing and shaft, new gasket and new spider.

Every 9 years or 20000 h whichever first, or damage on shaft or bearing : remove motor, bell, jaw coupling and input shaft. Install new input shaft and new spider.



Read this important information on maintenance and security beforehand:

MAL7100-0003 Installation and Maintenance manual for K VFD reels.



[Replacement of the Drive Shaft Video](#)

Follow the link above or scan the QR-Code ▶



• **Spare Parts**

Description	Order No.			
	K12	K16	K20	K25
Entry Shaft	3088595	3088597	3088598	3246522
Assembly Tool	3247478	3196862	3196862	3247479
Spider	call your Conductix-Wampfler Service Team to select and order the right elastic ring for jaw coupling			
Grease Can	3246675			
Gasket	Call Service	3246534	3246534	3246535

• **Services** | consult your Conductix-Wampfler Service Team for a quote

Description	Contents
Entry bearing checking	Disassembly and removal of electric motor, bell and gasket Bearing condition checking Grease and gasket replacement Complete reassembly
Drive shaft replacement	Disassembly and removal of electric motor, bell and drive shaft Drive shaft replacement and position setting Complete reassembly

www.conductix.com

**For questions, remarks, suggestions,
please contact us:**

Find a local Service Team:

www.conductix.com/en/contact-search

Product Management:

joerg.saettele@conductix.com

Tel.: +49 7621 / 662 490

