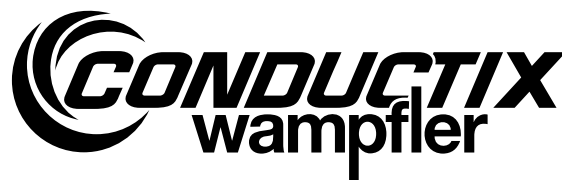


# Installation Instructions



## Wind Restraining Damping Device

Program 0300

### Order Number

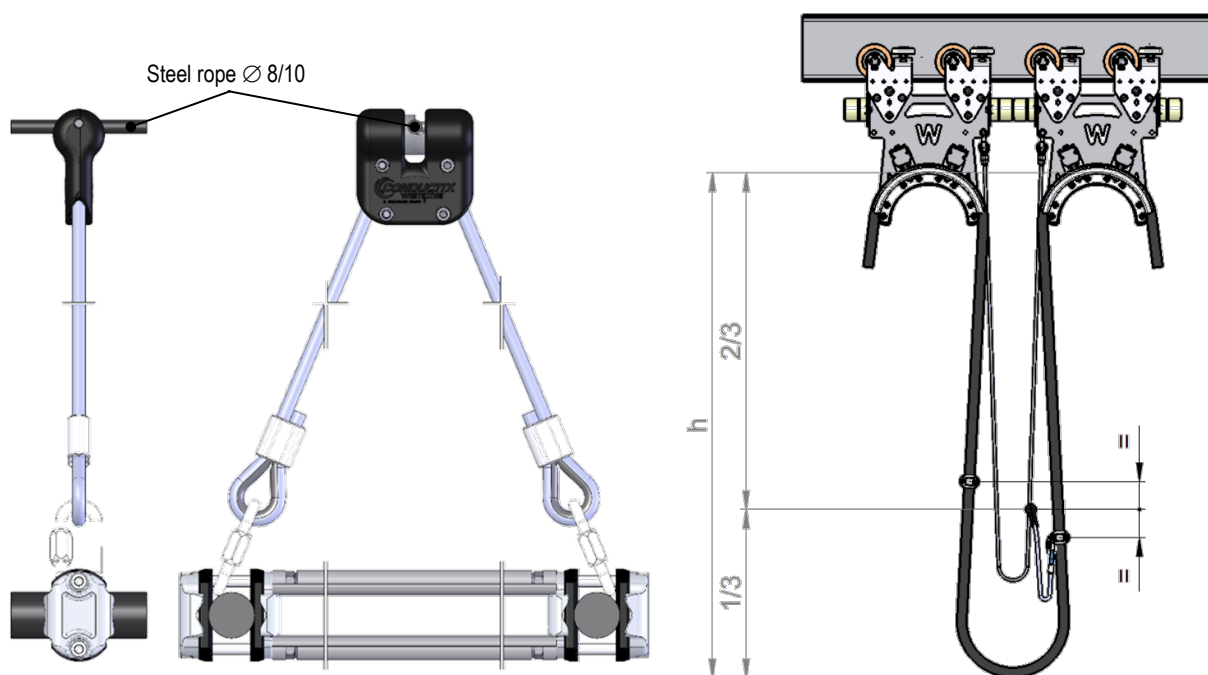
03-D025-0096

## Contents

1 Overview .....	1
2 Required tools .....	1
3 Sequence of assembly works .....	2

## 1 Overview

The wind restraining damping device connects the towing rope to the cable package in order to prevent the towing rope from being carried out sideways by strong lateral forces such as wind.



## 2 Required tools

- socket wrench SW4
  - A wrench with a long arm is favorable because of the high torque needed.
  - Standard short wrench sockets are not suitable. A longer version is needed.
- Wrench SW13
- Loctite 243

## Wind Restraining Damping Device

Program 0300

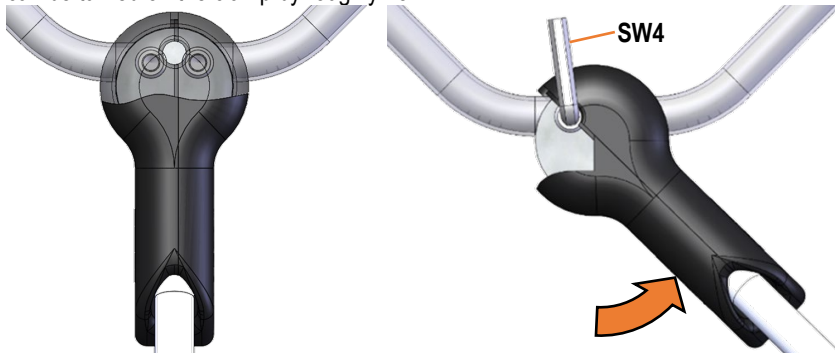
### 3 Sequence of assembly works

The following steps insure that the wind restraining damping device is mounted **at the right place, tightly and without damaging the towing rope.**

- Mount the device when the festoon system is retracted.
- To prevent it from falling down the device has to be fixed to the lower cable clamp with the two shackles. Secure the shackles with Loctite 243.
- Afterwards the wind restraining damping device is attached in the middle (based on the height) between the two cable clamps to the towing rope.
  - Therefore the towing rope is inserted into the groove:



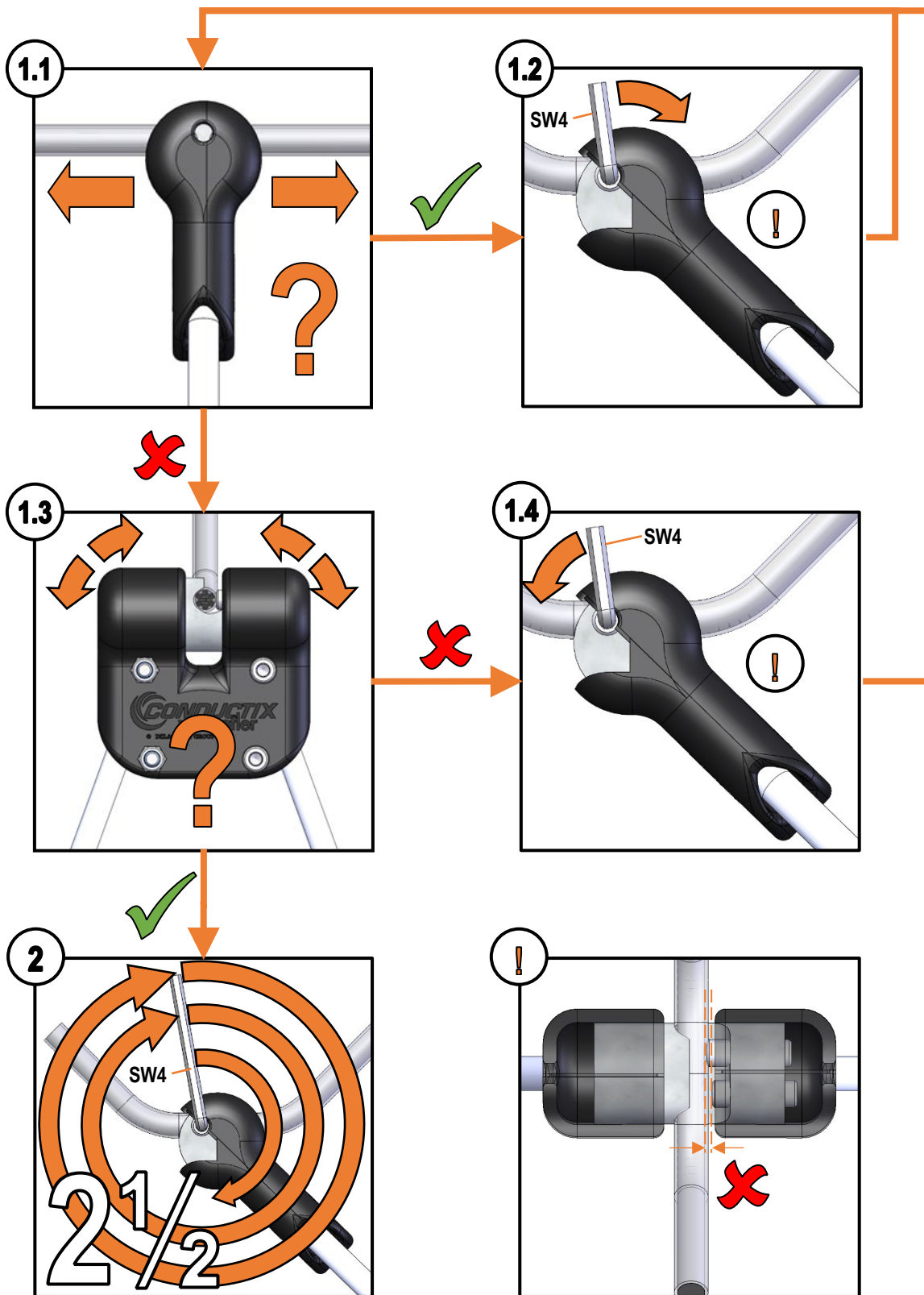
- After that the towing rope is clamped **slightly** by the set screws. To reach the set screws the plastic housing can be turned on the clamp by roughly 45°:



- To reach the required clamping force the following process has to be followed (see flow chart on the next page). The two set screws have to be at the same depth at any time (!).
- 1 Find the reference point for tightening of the set screws:
  - 1.1 Check if the clamp can be moved by hand in the direction of the towing rope.
    - If it is movable → go to step 1.2
    - If it is not movable → go to step 1.3
  - 1.2 The set screws have to be tightened slightly.
    - Go back to step 1.1
  - 1.3 Check if the clamp can be turned by hand around the axis of the towing rope.
    - If it is rotatable → go to step 2
    - If it is not rotatable → go to step 1.4
  - 1.4 The set screws have to be untightened slightly.
    - Start again with step 1.1
- 2 Tighten the set screws by 2 ½ turns.

## Wind Restraining Damping Device

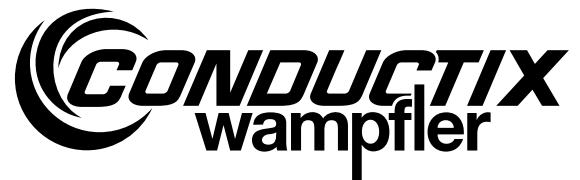
Program 0300



# Installation Instructions

## Wind Restraining Damping Device Program 0300

---



**Conductix-Wampfler GmbH**  
Rheinstraße 27 + 33  
79576 Weil am Rhein - Märkt  
Germany

Phone: +49 (0) 7621 662-0  
Fax: +49 (0) 7621 662-144  
[info.de@conductix.com](mailto:info.de@conductix.com)  
[www.conductix.com](http://www.conductix.com)



Importer for the United Kingdom:  
**Conductix-Wampfler Ltd.**  
1, Michigan Avenue  
Salford  
M50 2GY  
United Kingdom

Phone: +44 161 8480161  
Fax: +44 161 8737017  
[info.uk@conductix.com](mailto:info.uk@conductix.com)  
[www.conductix.com](http://www.conductix.com)